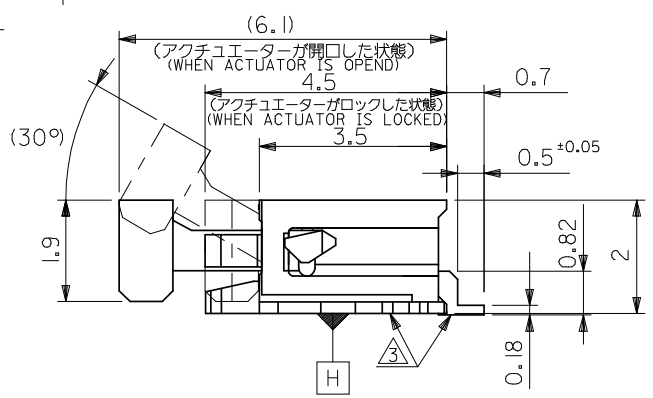
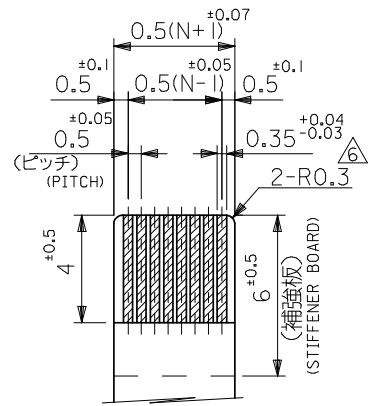


NOTES

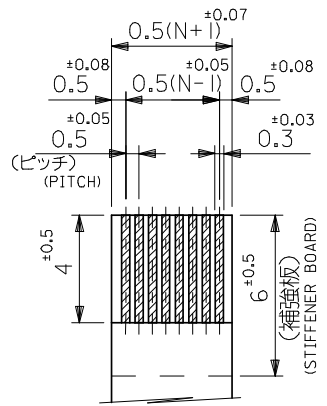
- 使用材料 : MATERIAL
 ハウジング HOUSING : 46ナイロン, UL94V-0 46NYLON
 アクチュエータ ACTUATOR : PPS, UL94V-0
 ターミナル TERMINAL : リン青銅 (t=0.2) PHOSPHOR BRONZE
 : 銅ビスマスマッキ 1.0マイクロメートル以上 TIN-BISMUTH 1.0 MICROMETER MINIMUM
 : ニッケル下地 1.0マイクロメートル以上 NICKEL(UNDER PLATING) 1.0 MICROMETER MINIMUM
 金具 FITTING NAIL : リン青銅 (t=0.2) PHOSPHOR BRONZE
 : 鍍メッキ 1.0マイクロメートル以上 TIN 1.0 MICROMETER MINIMUM
 : ニッケル下地 1.0マイクロメートル以上 NICKEL(UNDER PLATING) 1.0 MICROMETER MINIMUM
- エンボスステップ梱包時は、アクチュエータがロックした状態とする。
 IN THE PACKAGE,ACTUATOR OF PART NO.52437-***26 SHOULD BE LOCKED.
- △ソルダータール半田付け面のスレ量、及び金具半田付け面のスレ量は、基準面 H に対し上方向 0.1MAX.、下方向 0.15MAX.とする。
 MISALIGNMENT OF SOLDER TAILS AND FITTING NAILS FROM H UPPER DIRECTION: 0.1 MAX., LOWER DIRECTION: 0.15MAX.
- △偶数極に適用。
 APPLY FOR EVEN CIRCUIT.
- △パターンはくり止め用金具。
 FITTING NAIL FOR PREVENTION OF PEELING OF P.C.B. PATTERN.
- △RO.3は、FPCの導体部にかからないこと。
 RO.3 MUST NOT BE OVERLAPPED TO PATTERN OF FPC.
- 本製品は 52437-***27の鉛フリー品である。
 THIS PRODUCT IS LEAD FREE OF 52437-***27.
- ソルダータールの平坦度は、0.1 MAXIMUMとする。
 SOLDER TAIL COPLANARITY IS 0.1 MAXIMUM.



REVISED		EC NO: J2008-4048		GENERAL TOLERANCES (UNLESS SPECIFIED)		DIMENSION STYLE		SCALE		52437-***26		MODEL NO.	
2008/06/13		2008/06/16		10 UNDER ±0.2		MM ONLY		---		DESIGN UNITS		THIRD ANGLE	
DRWN:MNABEI		CHKD:THARUYAMA		10 OVER 30 UNDER ±0.25		DRAWN BY DATE		TITLE		METRIC		PROJECTION	
2008/06/16		2008/06/16		30 OVER ±0.3		YSAKIYAM '04/01/08		0.5 FPC CONN ZIF SMT RA					
APP:RUKITA				ANGULAR ±3 °		CHECKED BY DATE		BOTTOM CONTACT					
				DRAFT WHERE APPLICABLE MUST REMAIN WITHIN DIMENSIONS		MSASAO '04/01/08		-LEAD FREE-					
						APPROVED BY DATE		MOLEX INCORPORATED					
						MSASAO '04/01/08		MATERIAL NO.		DOCUMENT NO.		SHEET NO.	
								SEE SHEET 2		SD-52437-017		1 OF 2	
								SIZE		THIS DRAWING CONTAINS INFORMATION THAT IS PROPRIETARY TO MOLEX INCORPORATED AND SHOULD NOT BE USED WITHOUT WRITTEN PERMISSION			



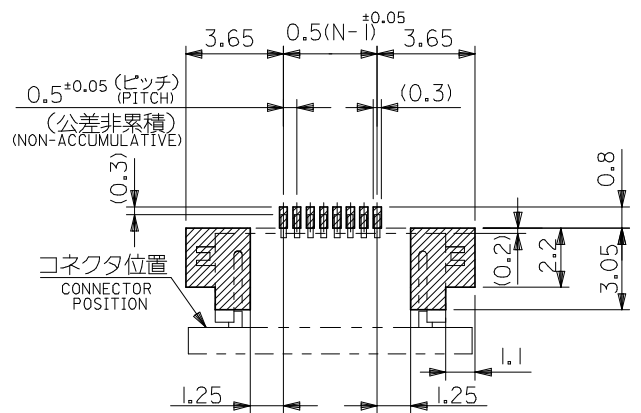
適合FPC推奨寸法
 APPLICABLE FPC
 RECOMMENDED DIMENSION.
 (仕上がり厚さ: 0.3 ± 0.05)
 (THICKNESS: 0.3 ± 0.05)



適合FFC推奨寸法
 APPLICABLE FFC
 RECOMMENDED DIMENSION.
 (仕上がり厚さ: 0.3 ± 0.05)
 (THICKNESS: 0.3 ± 0.05)

FPCについて:
 打抜き方向は導体側から補強板側を推奨致します。
 補強フィルム材質はポリイミドを推奨致します。
 接着剤は熱硬化接着剤を推奨致します。

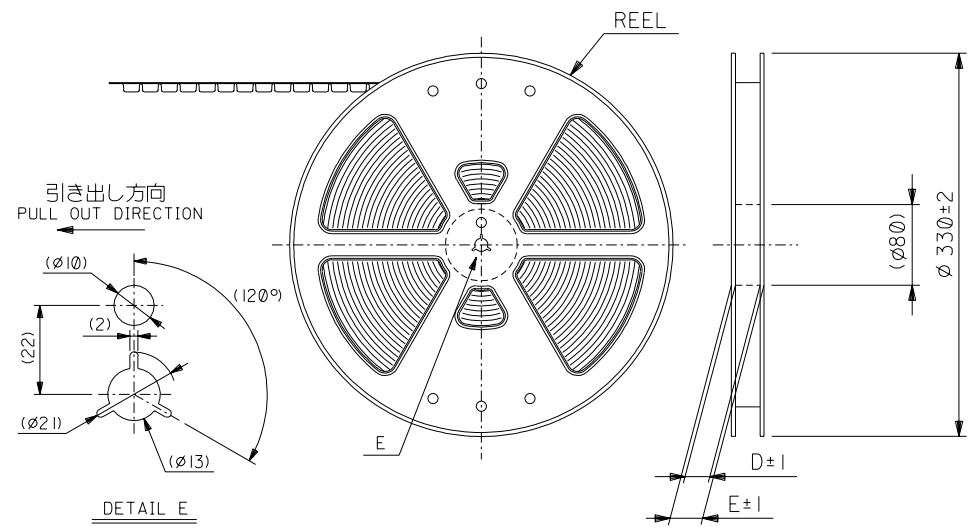
ABOUT FPC:
 RECOMMENDED PUNCHER DIRECTION :
 FROM CONDUCTOR SIDE TO STIFFENER BOARD SIDE.
 RECOMMENDED MATERIAL:
 STIFFENER FILM : POLYIMIDE
 BONDING AGENT : THERMOSETTING BONDING AGENT



参考基板レイアウト
 (マウント面)
 RECOMMENDED P.C.B. BOARD
 PATTERN DIMENSION (REF.)
 (MOUNTING SIDE)

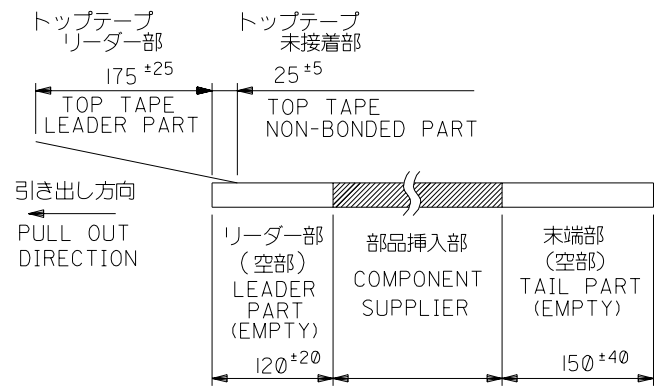
21.6	19.6	15.65	14.5	52437-3072	52437-3026	30
21.1	19.1	15.15	14.0	↑ -2972	↑ -2926	29
20.6	18.6	14.65	13.5	-2872	-2826	28
20.1	18.1	14.15	13.0	-2772	-2726	27
19.6	17.6	13.65	12.5	-2672	-2626	26
19.1	17.1	13.15	12.0	-2572	-2526	25
18.6	16.6	12.65	11.5	-2472	-2426	24
18.1	16.1	12.15	11.0	-2372	-2326	23
17.6	15.6	11.65	10.5	-2272	-2226	22
17.1	15.1	11.15	10.0	-2172	-2126	21
16.6	14.6	10.65	9.5	-2072	-2026	20
16.1	14.1	10.15	9.0	-1972	-1926	19
15.6	13.6	9.65	8.5	-1872	-1826	18
15.1	13.1	9.15	8.0	-1772	-1726	17
14.6	12.6	8.65	7.5	-1672	-1626	16
14.1	12.1	8.15	7.0	-1572	-1526	15
13.6	11.6	7.65	6.5	-1472	-1426	14
13.1	11.1	7.15	6.0	-1372	-1326	13
12.6	10.6	6.65	5.5	-1272	-1226	12
12.1	10.1	6.15	5.0	-1172	-1126	11
11.6	9.6	5.65	4.5	-1072	-1026	10
11.1	9.1	5.15	4.0	-0972	-0926	9
10.6	8.6	4.65	3.5	-0872	-0826	8
10.1	8.1	4.15	3.0	↓ -0772	↓ -0726	7
9.6	7.6	3.65	2.5	52437-0672	52437-0626	6
D	C	B	(A)	EMBOSSSED TAPE ORDER No. オーダー番号	MATERIAL NO.	極数 CRT.

REVISED EC NO: J2008-4048 2008/06/13 DRWN:MNABEI 2008/06/16 CHKD: APPR:NUKITA 2008/06/16	GENERAL TOLERANCES (UNLESS SPECIFIED)		DIMENSION STYLE MM ONLY		SCALE ---	DESIGN UNITS METRIC	THIRD ANGLE PROJECTION
	10 UNDER	±0.2	DRAWN BY YSAKIYAM	DATE '04/01/08	TITLE 0.5 FPC CONN ZIF SMT RA BOTTOM CONTACT -LEAD FREE-		
	10 OVER 30 UNDER	±0.25	CHECKED BY MSASAO	DATE '04/01/08			
	30 OVER	±0.3	APPROVED BY MSASAO	DATE '04/01/08	MOLEX INCORPORATED		
	ANGULAR ±3°		MATERIAL NO.	DOCUMENT NO. SD-52437-017			
DRAFT WHERE APPLICABLE MUST REMAIN WITHIN DIMENSIONS		SIZE A3	THIS DRAWING CONTAINS INFORMATION THAT IS PROPRIETARY TO MOLEX INCORPORATED AND SHOULD NOT BE USED WITHOUT WRITTEN PERMISSION				



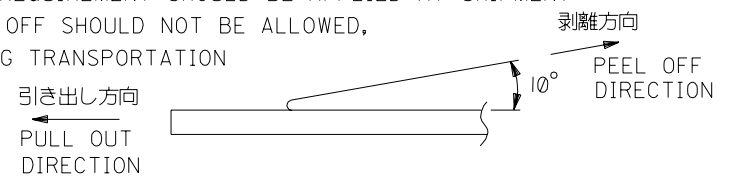
注記 NOTES

- 製品番号 52437-***26 の梱包状態はアクチュエータがロックした状態とする。
 詳細寸法については図面 SD-52437-017 を参照下さい。
 IN THE PACKAGE,ACTUATOR OF PART NO.52437-***26 SHOULD BE LOCKED RE DETAILED DIMENSIONS,SEE SD-52437-017.
- 梱包数量：1000個/リール
 NUMBER OF CONNECTORS:1000PCS/REEL
- リードテープ長さ LEAD TAPE LENGTH



- トップテープの剥離強度：(剥離方向は下図参照)
 0.1N~1.3N {10gf~130gf}尚、本規格値は、出荷時に適用。
 (但し、輸送時に剥離が発生しない事。)

PEELING OFF FORCE OF TOP TAPE
 0.1N ~1.3N(10gf ~130gf)(PEELING DIRECTION AS SHOWN IN FOLLOWING FIG.)
 THIS REQUIREMENT SHOULD BE APPLIED AT SHIPMENT
 PEEL OFF SHOULD NOT BE ALLOWED,
 DURING TRANSPORTATION



- 材料 (MATERIAL)
 キャリアテープ (CARRIER TAPE) :ポリプロピレン (POLYPROPYLENE)
 トップテープ (TOPTAPE) : PET, PE, PEF
 リール (REEL) : ポリスチレン (PS) <リサイクル材を含む>
 POLYSTYREN (PS) <RECYCLE MATERIAL CONTAINED>

- 本製品は 52437-***91 の鉛フリー品である。
 THIS PRODUCT IS LEAD FREE OF 52437-***91.

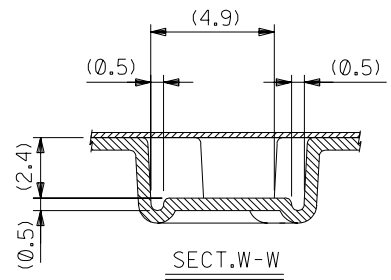
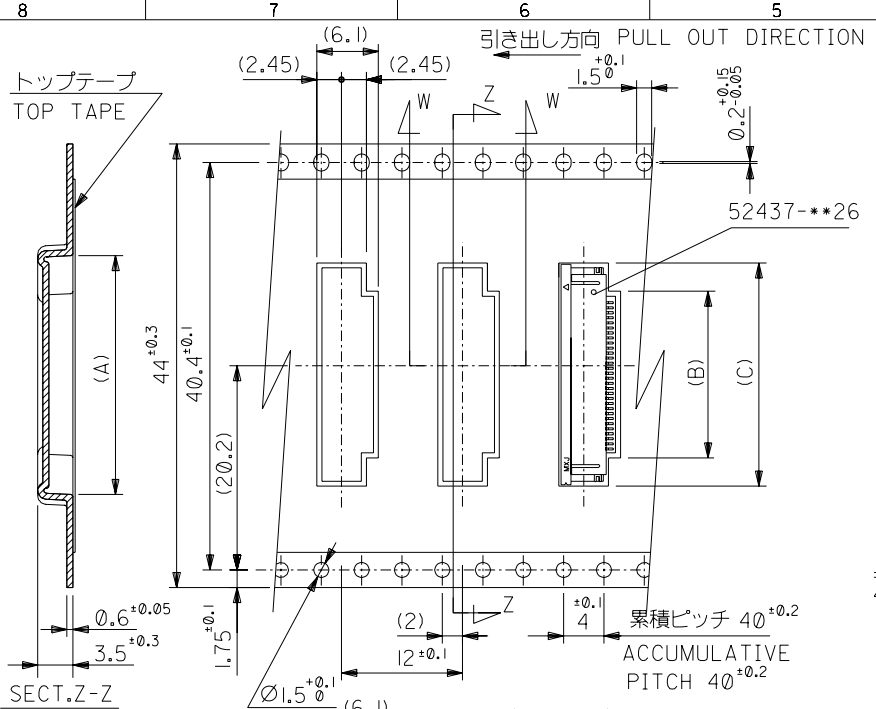
DO NOT SCALE DRAWING

EC NO. DRWN: CHK: APPR:	EC NO. DRWN: CHK: APPR:	EC NO. DRWN: CHK: APPR:	REVISED '04/02/09	MATERIAL 材料	GENERAL TOLERANCES: (UNLESS SPECIFIED) 一般公差	SCALE —//	DESIGN UNITS <input checked="" type="checkbox"/> mm <input type="checkbox"/> INCH	THIRD ANGLE PROJECTION	DIMENSIONS:		SHT	REV
			EC NO. J2004-2350 DRWN: N.AIDA CHK: K.TOJO APPR: M.SASAO						<input type="checkbox"/> mm <input type="checkbox"/> INCH <input checked="" type="checkbox"/> mm ONLY	REVISION ON CAD ONLY		
A	0	REV	RELEASED '04/01/08	FINISH 仕上げ	注記参照 SEE NOTES	DRAWN BY & DATE Y.SAKIYAMA '04/01/08	CHECKED BY & DATE M.SASAO '04/01/08	APPROVED BY & DATE M.SASAO '04/01/08	TITLE:			SHEET NO.
			EC NO. J2004-1850 DRWN: Y.SAKIYAMA CHK: M.SASAO APPR: M.SASAO						0.5 FPC Conn Assy ZIF SMT RA With Tape Embstp Pkg -LEAD FREE-			
				WIRE RANGE 適用層被覆範囲	—//—	ANGLE 角度	3°	CAD FILENAME SD-52437-018.S01	MATERIAL NO. 52437-***72	DRAWING NO. SD-52437-018		SIZE B

THIS DRAWING CONTAINS INFORMATION THAT IS PROPRIETARY TO MOLEX INCORPORATED AND SHOULD NOT BE USED WITHOUT WRITTEN PERMISSION.

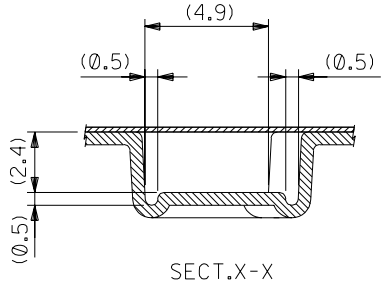
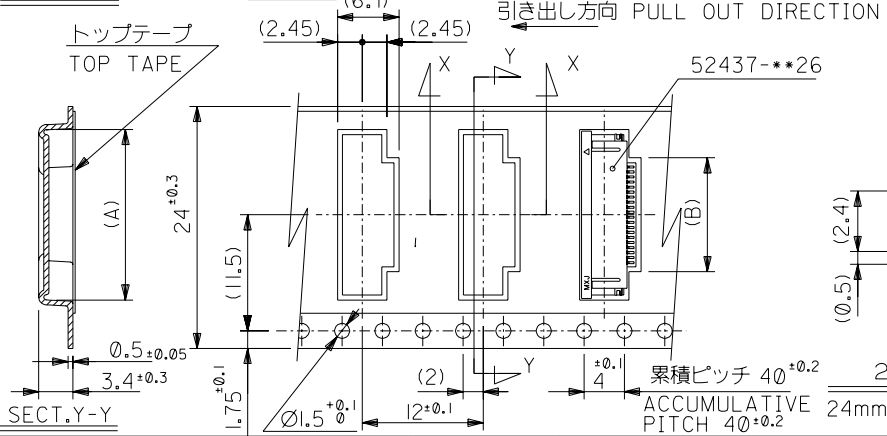
DO NOT SCALE DRAWING

DWG. NO.
SD-52437-018



44mm 幅キャリアテープ
44mm WIDTH CARRIER TAPE

44	49.4	45.4	22.9	16.3	21.9	52437-3072	30
キャリアテープ幅 CARRIER TAPE WIDTH	E	D	(C)	(B)	(A)	MATERIAL NO.	極数 CIRCUIT



24mm 幅キャリアテープ
24mm WIDTH CARRIER TAPE

24	29.4	25.4	11.8	17.4	52437-2172	21
キャリアテープ幅 CARRIER TAPE WIDTH	E	D	(B)	(A)	MATERIAL NO.	極数 CIRCUIT

EC NO. DRWN: CHK: APPR:	EC NO. DRWN: CHK: APPR:	EC NO. DRWN: CHK: APPR:	REVISED '04/02/09 EC NO. J2004-2350 DRWN: N.AIDA CHK: K.TOJO APPR: M.SASAO	RELEASED '04/01/08 EC NO. J2004-1850 DRWN: Y.SAKIYAMA CHK: M.SASAO APPR: M.SASAO
A				

MATERIAL 材料	SHEET 1 OF 3 参照 REFER TO SHEET 1 OF 3	
FINISH 仕上げ	//	
WIRE RANGE 適用線径範囲	//	
INS. RANGE 被覆外径	//	

GENERAL TOLERANCES: (UNLESS SPECIFIED) 一般公差	SCALE 1/1	DESIGN UNITS <input checked="" type="checkbox"/> mm <input type="checkbox"/> INCH	
10 UNDER 未満	DRAWN BY & DATE Y.SAKIYAMA '04/01/08	THIRD ANGLE PROJECTION <input checked="" type="checkbox"/> mm <input type="checkbox"/> INCH	
10 OVER 30 UNDER 以上 未満			CHECKED BY & DATE M.SASAO '04/01/08
30 OVER 以上			APPROVED BY & DATE M.SASAO '04/01/08
ANGLE 角度	3°		

DIMENSIONS: <input type="checkbox"/> mm <input type="checkbox"/> INCH		SHT REVISE ON CAD ONLY
TITLE: 0.5 FPC Conn Assy ZIF SMT RA With Tape Embstp Pkg -LEAD FREE-		
MOLEX MOLEX INCORPORATED		
CAD FILENAME SD-52437-018.S03	MATERIAL NO. 52437-***72	DRAWING NO. SD-52437-018
		SHEET NO. 3 OF 3
THIS DRAWING CONTAINS INFORMATION THAT IS PROPRIETARY TO MOLEX INCORPORATED AND SHOULD NOT BE USED WITHOUT WRITTEN PERMISSION.		
		SIZE B